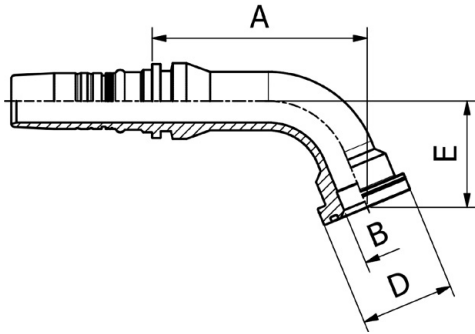


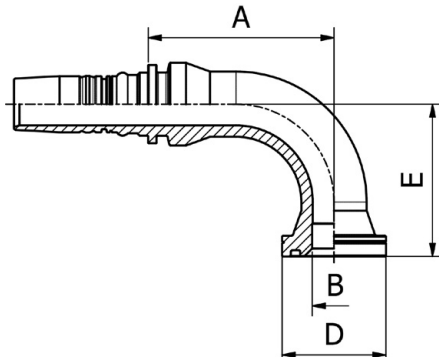
SAE STANDARD CONNECTIONS



M43670

67.5° ISO / SAE
CODE 62 FLANGE
SAE J516 / ISO 12151-3

PART. REF.	HOSE BORE			Flange		DIMENSIONS mm						
	DN	Dash	inch	inch		B	A	D	E			
M43670-16-20	25	- 16	1"	1.1/4"		26.0	105.0	54.1	58.5			
M43670-20-16T34	31	- 20	1.1/4"	1"		26.0	125.3	47.7	58.2			
M43670-20-20	31	- 20	1.1/4"	1.1/4"		26.1	125.5	54.2	62.0			
M43670-24-16	38	- 24	1.1/2"	1"		19.0	125.5	47.7	51.0			
M43670-24-20	38	- 24	1.1/2"	1.1/4"		26.0	142.5	54.1	54.1			
M43670-24-20T40	38	- 24	1.1/2"	1.1/4"		31.0	145.0	54.2	71.0			



SAE STANDARD CONNECTIONS

M43690

90° ISO / SAE
CODE 62 FLANGE
SAE J516 / ISO 12151-3

PART. REF.	HOSE BORE			Flange		DIMENSIONS mm						
	DN	Dash	inch	inch		B	A	D	E			
M43690-10-12	16	- 10	5/8"	3/4"		16.0	56.5	41.4	60.5			
M43690-12-12	19	- 12	3/4"	3/4"		16.0	72.5	41.4	59.0			
M43690-12-16	19	- 12	3/4"	1"		20.0	72.5	47.7	65.0			
M43690-16-12	25	- 16	1"	3/4"		16.0	81.5	41.4	62.0			
M43690-16-16	25	- 16	1"	1"		20.0	81.0	47.7	68.0			
M43690-16-20	25	- 16	1"	1.1/4"		26.0	78.5	54.2	76.0			
M43690-20-16	31	- 20	1.1/4"	1"		20.0	98.5	47.7	79.0			
M43690-20-20	31	- 20	1.1/4"	1.1/4"		26.1	98.5	54.2	81.0			
M43690-20-20090	31	- 20	1.1/4"	1.1/4"		26.1	98.5	54.1	90.0			
M43690-20-24	31	- 20	1.1/4"	1.1/2"		32.1	98.5	63.7	91.5			
M43690-24-20	38	- 24	1.1/2"	1.1/4"		26.0	111.0	54.2	91.0			
M43690-24-24	38	- 24	1.1/2"	1.1/2"		32.0	112.5	63.7	94.5			
M43690-24-24104	38	- 24	1.1/2"	1.1/2"		32.0	112.5	63.7	104.0			
M43690-24-32	38	- 24	1.1/2"	2"		42.0	112.5	79.6	110.5			
M43690-32-32	51	- 32	2"	2"		42.0	140.5	79.6	132.0			
M43690-32-32138	51	- 32	2"	2"		42.0	140.5	79.6	138.0			

195 FITTINGS