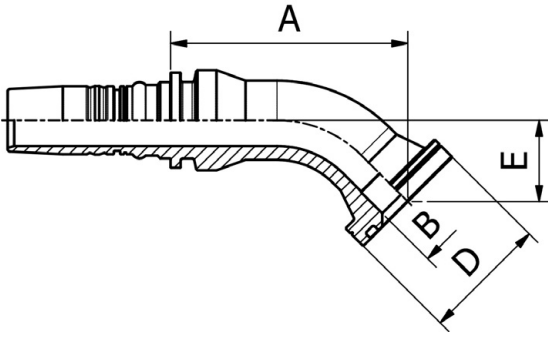


SAE STANDARD CONNECTIONS

# M43640

45° ISO / SAE  
CODE 62 FLANGE  
SAE J516 / ISO 12151-3



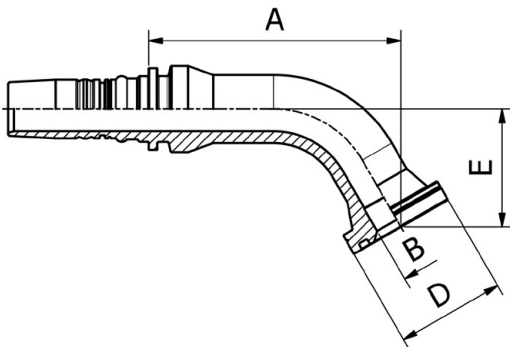
PART. REF.	HOSE BORE			Flange	DIMENSIONS mm							
	DN	Dash	inch	inch	B	A	D	E				
M43640-10-12	16	- 10	5/8"	3/4"	16.0	71.0	41.4	31.0				
M43640-10-16	16	- 10	5/8"	1"	20.0	83.5	47.7	32.5				
M43640-12-12	19	- 12	3/4"	3/4"	16.0	79.0	41.4	26.0				
M43640-12-16	19	- 12	3/4"	1"	20.0	85.5	47.7	32.5				
M43640-16-12	25	- 16	1"	3/4"	16.0	87.0	41.4	28.0				
M43640-16-16	25	- 16	1"	1"	20.0	91.5	47.7	32.5				
M43640-16-20	25	- 16	1"	1.1/4"	26.0	93.5	54.2	37.5				
M43640-20-16	31	- 20	1.1/4"	1"	20.0	106.5	47.7	36.0				
M43640-20-20	31	- 20	1.1/4"	1.1/4"	26.1	108.0	54.2	37.5				
M43640-20-24	31	- 20	1.1/4"	1.1/2"	32.1	115.0	63.7	45.0				
M43640-24-20	38	- 24	1.1/2"	1.1/4"	26.0	124.5	54.2	43.0				
M43640-24-24	38	- 24	1.1/2"	1.1/2"	32.0	124.5	63.7	44.0				
M43640-24-32	38	- 24	1.1/2"	2"	42.0	135.5	79.6	55.5				
M43640-32-32	51	- 32	2"	2"	42.0	154.0	79.6	60.5				
M43640-32-32056	51	- 32	2"	2"	42.0	150.0	79.6	56.5				

FITTINGS 194

SAE STANDARD CONNECTIONS

# M43660

60° ISO / SAE  
CODE 62 FLANGE  
SAE J516 / ISO 12151-3



PART. REF.	HOSE BORE			Flange	DIMENSIONS mm							
	DN	Dash	inch	inch	B	A	D	E				
M43660-12-12	19	- 12	3/4"	3/4"	16.0	98.5	41.4	39.0				
M43660-12-16	19	- 12	3/4"	1"	20.0	101.0	47.7	44.0				
M43660-16-16	25	- 16	1"	1"	20.0	107.0	47.7	52.0				
M43660-20-20	31	- 20	1.1/4"	1.1/4"	26.1	130.0	54.2	59.0				
M43660-20-24	31	- 20	1.1/4"	1.1/2"	32.1	136.5	63.7	66.0				
M43660-24-24	38	- 24	1.1/2"	1.1/2"	32.0	154.0	63.7	61.5				
M43660-32-32	51	- 32	2"	2"	42.0	197.5	79.6	85.0				