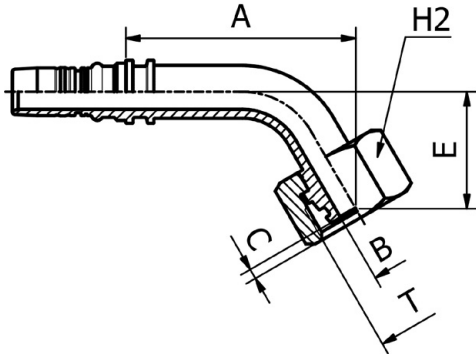


DIN STANDARD CONNECTIONS

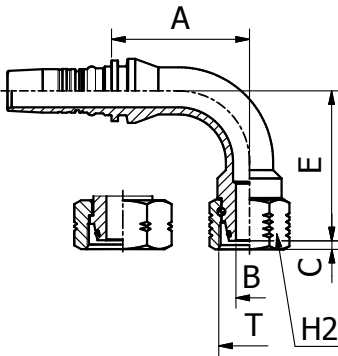


M41663

**60° METRIC
O-RING FEMALE SWEEP ELBOW 24° CONE
HEAVY DUTY
DIN 20066 / ISO 12151-2**

PART. REF.	HOSE BORE			Thread	Pipe	DIMENSIONS mm						
	DN	Dash	inch	T	mm	B	A	C	E	H2		
M41663-10-30	16	- 10	5/8"	M30X2	20.0	12.0	78.4	3.5	40.0	36		

FITTINGS 200



DIN STANDARD CONNECTIONS

M41692/M41693

**90° METRIC
O-RING FEMALE SWEEP ELBOW 24° CONE
HEAVY DUTY
DIN 20066 / ISO 12151-2**

PART. REF.	HOSE BORE			Thread	Pipe	DIMENSIONS mm						
	DN	Dash	inch	T	mm	B	A	C	E	H2		
M41693-10-30	16	- 10	5/8"	M 30X2	20.0	12.0	52.5	3.5	57.5	36.0		
M41692-12-30	19	- 12	3/4"	M 30X2	25.0	12.5	64.0	3.2	68.5	36.0		
M41693-12-36	19	- 12	3/4"	M 36X2	25.0	14.5	67.0	3.4	67.5	41.0		
M41692-16-36	25	- 16	1"	M 36X2	25.0	16.0	81.5	4.1	89.0	41.0		
M41693-16-42	25	- 16	1"	M 42X2	30.0	19.5	81.5	5.3	75.5	50.0		
M41692-20-42	31	- 20	1.1/4"	M 42X2	30.0	19.1	103.5	6.0	90.0	50.0		
M41693-20-52	31	- 20	1.1/4"	M 52X2	38.0	26.1	100.0	8.0	86.5	60.0		