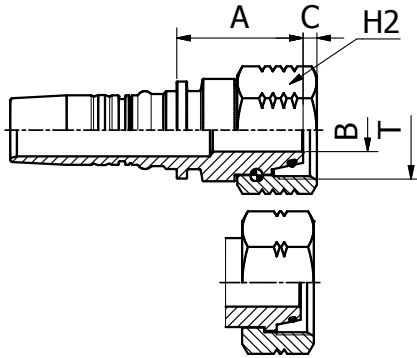


DIN STANDARD CONNECTIONS

M41612/M41613

METRIC
O-RING FEMALE 24° CONE HEAVY DUTY
DIN 20066 / ISO 12151-2

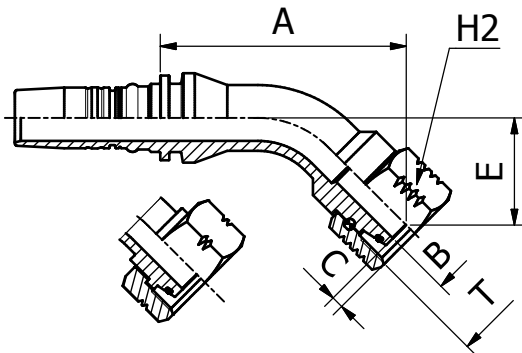


PART. REF.	HOSE BORE			Thread	Pipe	DIMENSIONS mm					
	DN	Dash	inch	T	mm	B	A	C	H2		
M41612-10-24	16	- 10	5/8"	M 24X1,5	16.0	9.3	31.0	4.0	30.0		
M41613-10-30	16	- 10	5/8"	M 30X2	20.0	12.0	37.0	3.5	36.0		
M41612-12-30	19	- 12	3/4"	M 30X2	20.0	12.5	44.0	3.2	36.0		
M41613-12-36	19	- 12	3/4"	M 36X2	25.0	14.5	42.0	3.4	41.0		
M41613-12-42	19	- 12	3/4"	M 42X2	30.0	19.0	36.0	6.3	50.0		
M41612-16-36	25	- 16	1"	M 36X2	25.0	16.0	47.0	4.1	41.0		
M41613-16-42	25	- 16	1"	M 42X2	30.0	19.5	46.5	5.3	50.0		
M41613-16-52	25	- 16	1"	M 52X2	38.0	26.1	49.5	8.0	60.0		
M41612-20-42	31	- 20	1.1/4"	M 42X2	30.0	19.0	47.5	6.0	50.0		
M41613-20-52	31	- 20	1.1/4"	M 52X2	38.0	26.1	41.5	8.0	60.0		
M41612-24-52	38	- 24	1.1/2"	M 52X2	38.0	29.0	52.5	8.8	60.0		

DIN STANDARD CONNECTIONS

M41642/M41643

45° METRIC
O-RING FEMALE SWEEP ELBOW 24° CONE
HEAVY DUTY
DIN 20066 / ISO 12151-2



PART. REF.	HOSE BORE			Thread	Pipe	DIMENSIONS mm					
	DN	Dash	inch	T	mm	B	A	C	E	H2	
M41643-10-30	16	- 10	5/8"	M 30X2	20.0	12.0	66.5	3.5	29.5	36.0	
M41642-12-30	19	- 12	3/4"	M 30X2	20.0	12.5	79.0	3.2	35.0	36.0	
M41643-12-36	19	- 12	3/4"	M 36X2	25.0	14.5	81.0	3.4	33.5	41.0	
M41642-16-36	25	- 16	1"	M 36X2	25.0	16.0	103.0	4.1	45.5	41.0	
M41643-16-42	25	- 16	1"	M 42X2	30.0	19.5	93.0	5.3	36.0	50.0	
M41642-20-42	31	- 20	1.1/4"	M 42X2	30.0	19.1	116.5	6.0	44.5	50.0	
M41643-20-52	31	- 20	1.1/4"	M 52X2	38.0	26.1	110.0	8.0	40.0	60.0	
M41642-24-52	38	- 24	1.1/2"	M 52X2	38.0	29.0	128.0	8.8	51.5	60.0	