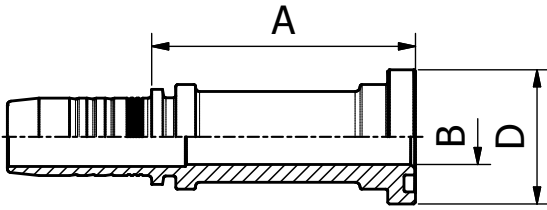


ORIGINAL EQUIPMENT CONNECTIONS

M24111

STRAIGHT KOMATSU FLANGE

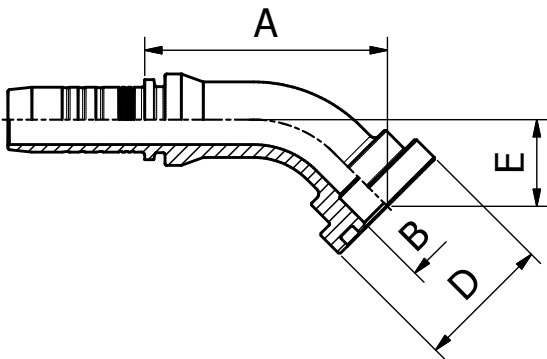


PART. REF.	HOSE BORE			FLANGE		DIMENSIONS mm						
	DN	Dash	inch			inch	B	A	D			
M24111-08-10	12	-8	1/2"	5/8"		14.0	66.0	34.0				
M24111-10-10	16	-10	5/8"	5/8"		14.0	65.5	34.0				
M24111-12-10	19	-12	3/4"	5/8"		14.0	66.5	34.0				

ORIGINAL EQUIPMENT CONNECTIONS

M24141

45° KOMATSU FLANGE

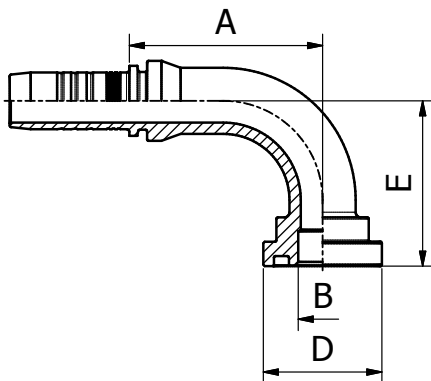


PART. REF.	HOSE BORE			FLANGE		DIMENSIONS mm						
	DN	Dash	inch			inch	B	A	C	H1	H2	
M24141-10-10	16	-10	5/8"	5/8"		14.0	61.0	34.0	22.0			

ORIGINAL EQUIPMENT CONNECTIONS

M24191

90° KOMATSU FLANGE



PART. REF.	HOSE BORE			FLANGE		DIMENSIONS mm						
	DN	Dash	inch			inch	B	A	C	H1	H2	
M24191-10-10	16	-10	5/8"	5/8"		14.0	56.0	34.0	47.5			
M24191-12-10	19	-12	3/4"	5/8"		14.0	56.0	34.0	47.5			