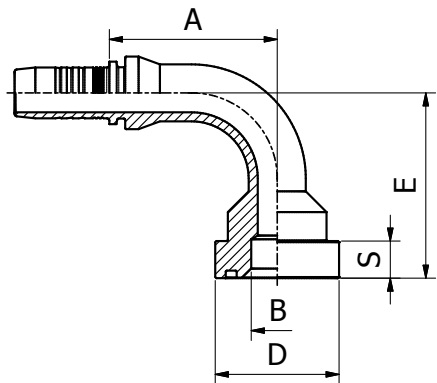


ORIGINAL EQUIPMENT CONNECTIONS

# M23991

90° SUPERCAT FLANGE



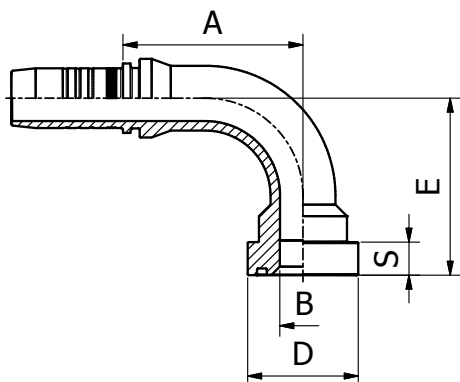
PART. REF.	HOSE BORE			FLANGE	DIMENSIONS mm						
	DN	Dash	inch	inch	B	A	D	E	S		
M23991-12-12	19	-12	3/4"	3/4"	15.0	64.5	41.5	64.5	14.3		
M23991-16-16	25	-16	1"	1"	19.8	77.5	47.7	76.5	14.3		
M23991-16-20	25	-16	1"	1.1/4"	26.0	75.5	54.0	80.5	14.3		
M23991-20-20	31	-20	1.1/4"	1.1/4"	26.0	85.5	54.0	87.0	14.3		
M23991-20-24	31	-20	1.1/4"	1.1/2"	32.0	85.5	63.7	93.0	14.3		

FITTINGS 172

ORIGINAL EQUIPMENT CONNECTIONS

# M23991CT

90° REALCAT FLANGE



PART. REF.	HOSE BORE			FLANGE	DIMENSIONS mm						
	DN	Dash	inch	inch	B	A	D	E	S		
M23991-16-16CT	25	-16	1"	1"	19.8	77.5	47.7	76.5	14.3		
M23991-16-20CT	25	-16	1"	1.1/4"	26.0	75.5	54.0	80.5	14.3		
M23991-20-20CT	31	-20	1.1/4"	1.1/4"	26.0	85.5	54.0	87.0	14.3		
M23991-24-24CT	38	-24	1.1/2"	1.1/2"	32.0	106.0	63.7	96.0	14.3		