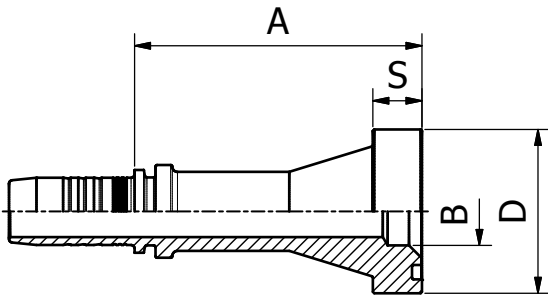


ORIGINAL EQUIPMENT CONNECTIONS

M23911

STRAIGHT SUPERCAT FLANGE

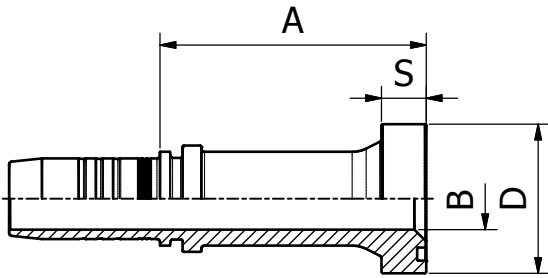


PART. REF.	HOSE BORE			FLANGE	DIMENSIONS mm						
	DN	Dash	inch	inch	B	A	D	S			
M23911-12-12	19	-12	3/4"	3/4"	15.0	74.5	41.5	14.3			
M23911-12-16	19	-12	3/4"	1"	19.8	83.5	47.7	14.3			
M23911-16-16	25	-16	1"	1"	19.8	87.0	47.7	14.3			
M23911-16-20	25	-16	1"	1.1/4"	26.0	92.5	54.0	14.3			
M23911-20-20	31	-20	1.1/4"	1.1/4"	26.0	86.0	54.0	14.3			
M23911-24-24	38	-24	1.1/2"	1.1/2"	32.0	94.0	63.6	14.3			

ORIGINAL EQUIPMENT CONNECTIONS

M23911CT

STRAIGHT REALCAT FLANGE



PART. REF.	HOSE BORE			FLANGE	DIMENSIONS mm						
	DN	Dash	inch	inch	B	A	D	S			
M23911-16-16CT	25	-16	1"	1"	19.8	85.0	47.7	14.3			
M23911-20-20CT	31	-20	1.1/4"	1.1/4"	26.0	88.5	54.0	14.3			
M23911-24-24CT	38	-24	1.1/2"	1.1/2"	32.0	93.0	63.6	14.3			

FITTINGS 170