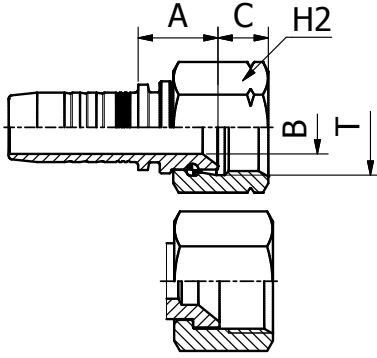


SAE STANDARD CONNECTIONS

M22512/M22513

JIC FEMALE 37° CONE SEAT
SAE J516 / ISO 12151-5



PART. REF.	HOSE BORE			Thread	DIMENSIONS mm						
	DN	Dash	inch		T	B	A	C	H2		
M22512-03-05	5	- 3	3/16"	1/2" - 20	4.0	15.5	9.1	17.0			
M22512-04-04	6	- 4	1/4"	7/16" - 20	4.0	15.5	8.7	17.0			
M22512-04-05	6	- 4	1/4"	1/2" - 20	4.0	16.0	9.1	17.0			
M22512-05-04	8	- 5	5/16"	7/16" - 20	4.0	15.5	8.7	17.0			
M22512-05-05	8	- 5	5/16"	1/2" - 20	5.5	16.0	9.1	17.0			
M22512-05-06	8	- 5	5/16"	9/16" - 18	7.0	15.5	9.2	19.0			
M22512-06-05	10	- 6	3/8"	1/2" - 20	5.5	16.5	9.1	17.0			
M22512-06-06	10	- 6	3/8"	9/16" - 18	7.0	16.0	9.2	19.0			
M22512-08-08	12	- 8	1/2"	3/4" - 16	9.3	20.0	10.2	22.0			
M22512-10-10	16	- 10	5/8"	7/8" - 14	12.5	20.0	12.3	27.0			
M22512-12-08	19	- 12	3/4"	3/4" - 16	9.3	21.5	10.2	22.0			
M22512-12-10	19	- 12	3/4"	7/8" - 14	12.5	21.5	12.3	27.0			
M22512-12-12	19	- 12	3/4"	1.1/16" - 12	15.0	22.5	14.2	32.0			
M22512-12-14	19	- 12	3/4"	1.3/16" - 12	15.0	23.0	14.3	36.0			
M22512-12-16	19	- 12	3/4"	1.5/16" - 12	19.8	23.0	15.0	38.0			
M22512-16-12	25	- 16	1"	1.1/16" - 12	15.0	23.5	14.2	32.0			
M22512-16-16	25	- 16	1"	1.5/16" - 12	19.8	24.0	15.0	38.0			
M22512-16-20	25	- 16	1"	1.5/8" - 12	26.0	30.0	16.2	50.0			
M22512-20-20	31	- 20	1.1/4"	1.5/8" - 12	26.0	30.0	16.2	50.0			
M22512-20-24	31	- 20	1.1/4"	1.7/8" - 12	32.0	35.0	18.8	60.0			
M22512-24-24	38	- 24	1.1/2"	1.7/8" - 12	32.0	35.0	18.8	60.0			
M22512-32-24	51	- 32	2"	1.7/8" - 12	32.0	37.0	18.8	60.0			
M22512-32-32	51	- 32	2"	2.1/2" - 12	44.0	35.5	24.0	75.0			
M22513-03-04	5	- 3	3/16"	7/16" - 20	3.0	15.0	8.0	15.0			
M22513-04-06	6	- 4	1/4"	9/16" - 18	4.0	16.5	9.8	19.0			
M22513-05-08	8	- 5	5/16"	3/4" - 16	5.5	17.0	10.1	22.0			
M22513-06-08	10	- 6	3/8"	3/4" - 16	7.0	17.5	10.1	22.0			
M22513-06-10	10	- 6	3/8"	7/8" - 14	9.3	18.0	12.4	27.0			
M22513-08-10	12	- 8	1/2"	7/8" - 14	9.3	18.5	12.4	27.0			
M22513-08-12	12	- 8	1/2"	1.1/16" - 12	12.5	22.0	14.1	32.0			
M22513-10-12	16	- 10	5/8"	1.1/16" - 12	12.5	21.5	14.1	32.0			