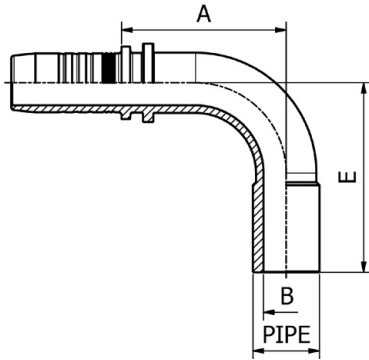


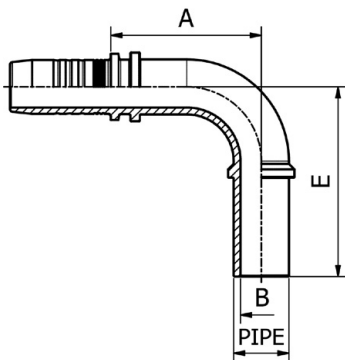
DIN STANDARD CONNECTIONS



M22090

90° METRIC STANDPIPE LIGHT DUTY
DIN 2353 / ISO 8434-1

PART. REF.	HOSE BORE			Pipe	DIMENSIONS mm							
	DN	Dash	inch		mm	B	A	E				
M22090-03-06	5	- 3	3/16"	6.0		3.0	22.5	34.0				
M22090-04-06	6	- 4	1/4"	6.0		3.0	23.0	34.0				
M22090-05-10	8	- 5	5/16"	10.0		7.0	29.5	40.0				
M22090-06-10	10	- 6	3/8"	10.0		7.0	33.0	42.5				
M22090-06-12	10	- 6	3/8"	12.0		8.0	34.0	45.0				
M22090-08-12	12	- 8	1/2"	12.0		8.0	34.5	45.0				
M22090-08-15	12	- 8	1/2"	15.0		10.5	42.0	52.0				
M22090-08-18	12	- 8	1/2"	18.0		12.5	42.0	55.0				
M22090-10-18	16	- 10	5/8"	18.0		12.5	49.0	59.0				
M22090-10-22	16	- 10	5/8"	22.0		15.0	53.5	63.0				
M22090-12-22	19	- 12	3/4"	22.0		15.0	54.5	63.0				
M22090-16-28	25	- 16	1"	28.0		19.8	67.5	75.0				
M22090-20-35	31	- 20	1.1/4"	35.0		26.0	80.5	94.0				



DIN STANDARD CONNECTIONS

M22190

90° METRIC STANDPIPE HEAVY DUTY
DIN 2353 / ISO 8434-1

PART. REF.	HOSE BORE			Pipe	DIMENSIONS mm							
	DN	Dash	inch		mm	B	A	E				
M22190-04-08	6	- 4	1/4"	8.0		4.0	27.0	38.0				
M22190-04-10	6	- 4	1/4"	10.0		6.0	27.0	41.0				
M22190-04-12	6	- 4	1/4"	12.0		7.0	27.0	44.0				
M22190-05-12	8	- 5	5/16"	12.0		7.0	30.5	44.0				
M22190-06-14	10	- 6	3/8"	14.0		9.3	35.0	51.0				
M22190-08-14	12	- 8	1/2"	14.0		9.3	42.0	53.5				
M22190-08-16	12	- 8	1/2"	16.0		10.5	43.0	55.0				
M22190-10-20	16	- 10	5/8"	20.0		12.5	49.0	66.5				
M22190-12-20	19	- 12	3/4"	20.0		15.0	54.5	69.0				
M22190-12-25	19	- 12	3/4"	25.0		15.0	57.5	75.0				
M22190-16-25	25	- 16	1"	25.0		15.0	61.5	76.5				
M22190-16-30	25	- 16	1"	30.0		19.8	69.5	87.0				