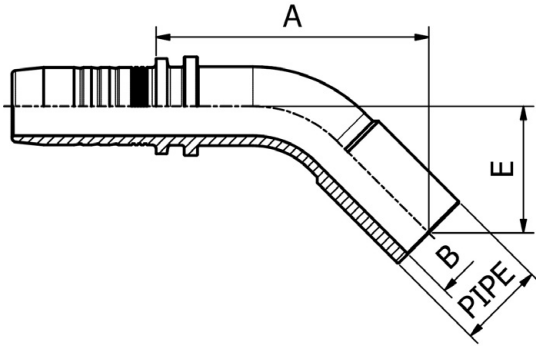


DIN STANDARD CONNECTIONS



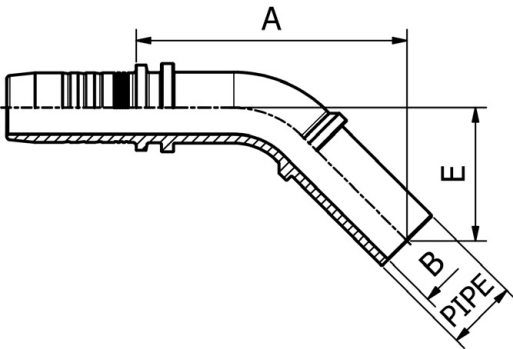
M22040

45° METRIC STANDPIPE LIGHT DUTY
DIN 2353 / ISO 8434-1

FITTINGS 152

PART. REF.	HOSE BORE			Pipe	DIMENSIONS mm					
	DN	Dash	inch		B	A	E			
M22040-03-06	5	- 3	3/16"	6.0	3.0	37.5	20.5			
M22040-04-06	6	- 4	1/4"	6.0	3.0	38.0	20.5			
M22040-05-10	8	- 5	5/16"	10.0	7.0	44.5	22.5			
M22040-06-10	10	- 6	3/8"	10.0	7.0	47.5	23.0			
M22040-06-12	10	- 6	3/8"	12.0	8.0	49.5	25.0			
M22040-08-15	12	- 8	1/2"	15.0	10.5	58.0	28.0			
M22040-10-18	16	- 10	5/8"	18.0	12.5	63.5	30.5			
M22040-12-22	19	- 12	3/4"	22.0	15.0	69.0	32.0			
M22040-16-28	25	- 16	1"	28.0	19.8	81.5	37.0			

DIN STANDARD CONNECTIONS



M22140

45° METRIC STANDPIPE HEAVY DUTY
DIN 2353 / ISO 8434-1

PART. REF.	HOSE BORE			Pipe	DIMENSIONS mm					
	DN	Dash	inch		B	A	E			
M22140-04-08	6	- 4	1/4"	8.0	4.0	42.0	22.0			
M22140-04-10	6	- 4	1/4"	10.0	6.0	44.0	24.0			
M22140-06-14	10	- 6	3/8"	14.0	9.3	54.5	29.0			
M22140-08-16	12	- 8	1/2"	16.0	10.5	61.0	30.0			
M22140-10-20	16	- 10	5/8"	20.0	12.5	69.0	36.0			
M22140-12-25	19	- 12	3/4"	25.0	15.0	80.5	40.5			
M22140-16-25	25	- 16	1"	25.0	15.0	82.0	41.0			