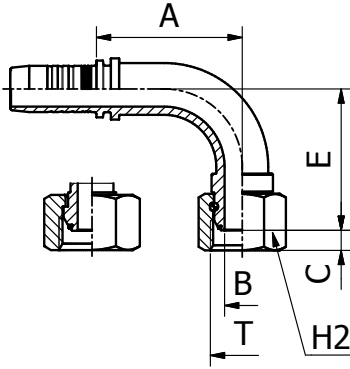


BS STANDARD CONNECTIONS

# M20892/M20893

90° BSP O-RING FEMALE SWEPT ELBOW 60° CONE  
BS5200 / ISO 12151-6



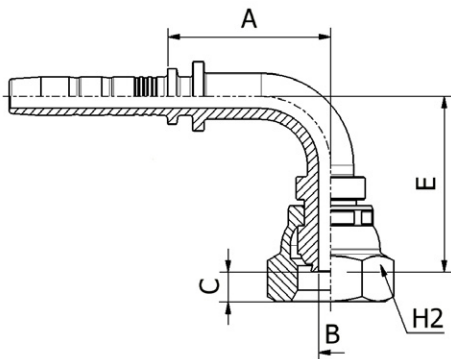
FITTINGS 124

PART. REF.	HOSE BORE			Thread	DIMENSIONS mm						
	DN	Dash	inch	T	B	A	C	E	H2		
M20892-06-04	10	- 6	3/8"	1/4" - 19	4.1	35.5	4.1	33.0	19.0		
M20892-10-10	16	- 10	5/8"	5/8" - 14	12.5	53.0	9.7	55.0	28.0		
M20892-12-12	19	- 12	3/4"	3/4" - 14	15.0	61.5	8.5	60.0	32.0		
M20892-12-16	19	- 12	3/4"	1" - 11	19.8	61.5	10.6	62.0	38.0		
M20892-16-12	25	- 16	1"	3/4" - 14	15.0	79.5	8.5	60.0	32.0		
M20892-16-16	25	- 16	1"	1" - 11	19.8	79.5	10.6	76.0	38.0		
M20892-16-20	25	- 16	1"	1.1/4" - 11	26.1	79.5	10.5	78.5	50.0		
M20892-20-16	31	- 20	1.1/4"	1" - 11	19.8	79.5	10.6	76.0	38.0		
M20892-20-20	31	- 20	1.1/4"	1.1/4" - 11	26.0	90.5	10.5	83.5	50.0		
M20892-20-24	31	- 20	1.1/4"	1.1/2" - 11	32.1	90.5	12.5	84.5	60.0		
M20892-24-20	38	- 24	1.1/2"	1.1/4" - 11	26.0	95.0	10.5	90.5	50.0		
M20892-24-24	38	- 24	1.1/2"	1.1/2" - 11	32.0	108.0	12.5	98.5	60.0		
M20892-24-32	38	- 24	1.1/2"	2" - 11	42.1	108.0	16.1	98.0	70.0		
M20892-32-32	51	- 32	2"	2" - 11	42.0	131.0	16.1	110.5	70.0		
M20893-03-04	5	- 3	3/16"	1/4" - 19	4.0	29.0	5.4	29.0	19.0		
M20893-04-04	6	- 4	1/4"	1/4" - 19	4.0	29.5	5.4	29.0	19.0		
M20893-06-06	10	- 6	3/8"	3/8" - 19	7.0	36.5	6.0	31.5	22.0		
M20893-08-08	12	- 8	1/2"	1/2" - 14	9.3	45.0	6.3	36.5	27.0		

BS STANDARD CONNECTIONS

# M20891KR

90° BSP O-RING FEMALE 60° CONE  
BS5200 / ISO 12151-6



PART. REF.	HOSE BORE			Thread	DIMENSIONS mm						
	DN	Dash	inch	T	B	A	C	E	H2		
M20891-04-04KR	6	- 4	1/4"	1/4" - 19	4.2	28.5	5.2	30.5	19.0		
M20891-04-06KR	6	- 4	1/4"	3/8" - 19	7.0	28.5	6.0	32.0	22.0		
M20891-06-04KR	10	- 6	3/8"	1/4" - 19	4.0	37.5	5.2	36.0	19.0		
M20891-06-06KR	10	- 6	3/8"	3/8" - 19	7.0	35.5	6.0	37.5	22.0		
M20891-06-08KR	10	- 6	3/8"	1/2" - 14	9.3	35.5	6.5	39.0	27.0		
M20891-08-06KR	12	- 8	1/2"	3/8" - 19	7.0	44.0	6.0	42.0	22.0		
M20891-08-08KR	12	- 8	1/2"	1/2" - 14	9.3	44.0	5.5	43.5	22.0		